

# Saramonic®

## CaMixer

### Introduction Manual

#### Introductions

The Saramonic CaMixer is a compact audio interface with phantom power and preamplifier, ideal for DSLR camera video production.

The mixer features one mini XLR input for balanced microphones and two microphone/line inputs for the included condenser microphones or other user-supplied microphones. A volume control knob and level meter allow easy adjustment of the input level. A headphone monitor output allows you to monitor the input and playback signal.

The audio quality and versatile operation of the CaMixer make it ideal for both professional and in-home applications.

#### Highlights

- Two 1/8" (3.5 mm) stereo line/mic inputs
- One mini XLR microphone input (a mini-XLR to standard-XLR cable included)
- +48V phantom power
- One 1/8" (3.5 mm) stereo line output to camera
- One 1/8" (3.5 mm) headphone monitor output
- PLAY/REC monitor switch
- Independent L/R level meters
- Volume control knob
- Includes two plug-in power condenser microphones
- Power provided by 9V battery

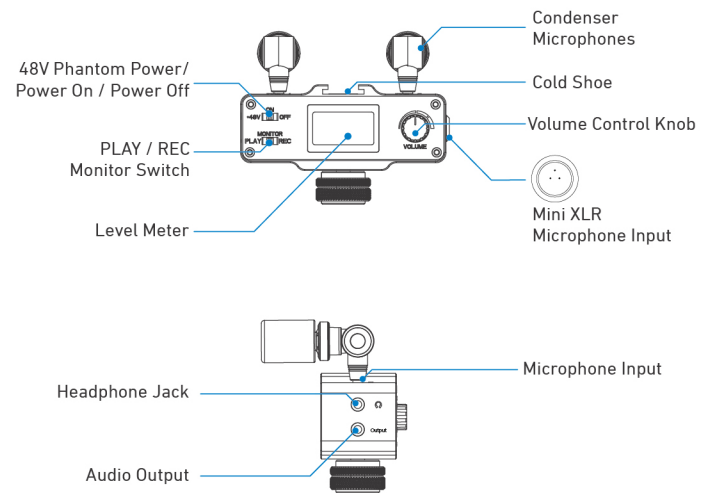
#### Specifications

Frequency Response	20 Hz to 20 KHz (+/-0.5 dB)
Noise	82 dB @ 1 kHz, -30 dBu input
Distortion	less than 0.03% @ 1 kHz, -30 dBu input



INPUT 1 GAIN	15 dB
INPUT 2 GAIN & MINI XLR Jack	15 dB
INPUT 1 & INPUT 2 Power	5V power supplies
MINI Jack Phantom Power	48V power supplies
Level Meter	-18 dB to +3 dB in 3 dB increments
Power Requirements	9V alkaline or lithium battery
Dimensions	L 95 x W 35 x H 65 mm
Weight	156 g (5.5 oz.)

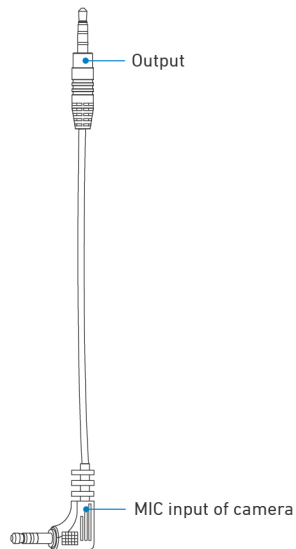
#### Components



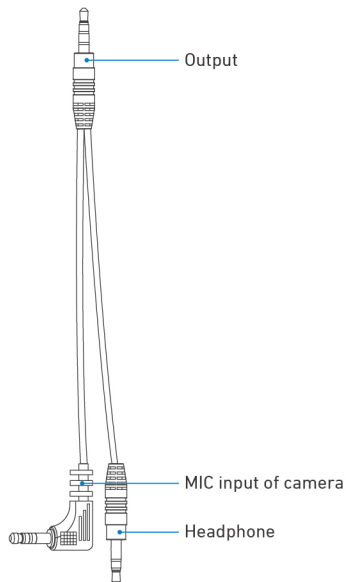
## Mini Preamp Audio Mixer Kit

The Saramonic CaMixer is a compact audio interface with phantom power and preamplifier, ideal for DSLR camera video production.

### Output Cable



### Output Cable for Cameras with headphone jack



## Quick Start Guide

Install a 9V battery. Gently remove the battery cover at the back of unit. Insert the battery with the "+" positive terminal lined up with the "+" indicator on the battery compartment. A ribbon is provided for easy battery removal.

Mount the CaMixer to your camera's hot shoe or any other cold shoe adapter.

Connect the supplied cable from the output jack(Output) of CaMixer to the MIC input of camera. If your camera has a headphone monitor jack, please

connect the cable as shown in the image and select PLAY for monitoring the playback audio from camera.

Plug in the supplied condenser microphones or other user-supplied XLR microphones or audio sources to the inputs of CaMixer.

Turn on the CaMixer. Slide the power switch to ON.

If your microphone needs phantom power, please slide the power switch to the +48V position to turn on the phantom power.



**NOTE:** Please turn on phantom power ONLY if the microphone clearly say it's needed, as the current may damage it.

Plug an earphone into the monitor jack on the CaMixer to monitor the audio. Be sure that the volume control is set low before recording to avoid excessively loud audio from damaging your hearing.

Select the PLAY/REC monitor switch

Select PLAY for monitoring playback audio from the camera.

Select REC for monitoring audio directly from the microphone or audio source while recording.

You are now ready to record:

Adjust the volume control flexibly to get the the optimum signal levels.

If you hear echoes while recording, please lower the volume with the volume control knob.

## Packing List

CaMixer main unit

Two plug-in power condenser microphones

One mini-XLR to standard-XLR cable

One 1/8"(3.5 mm) output cable

One 1/8"(3.5 mm) output cable for playback monitor

User Manual